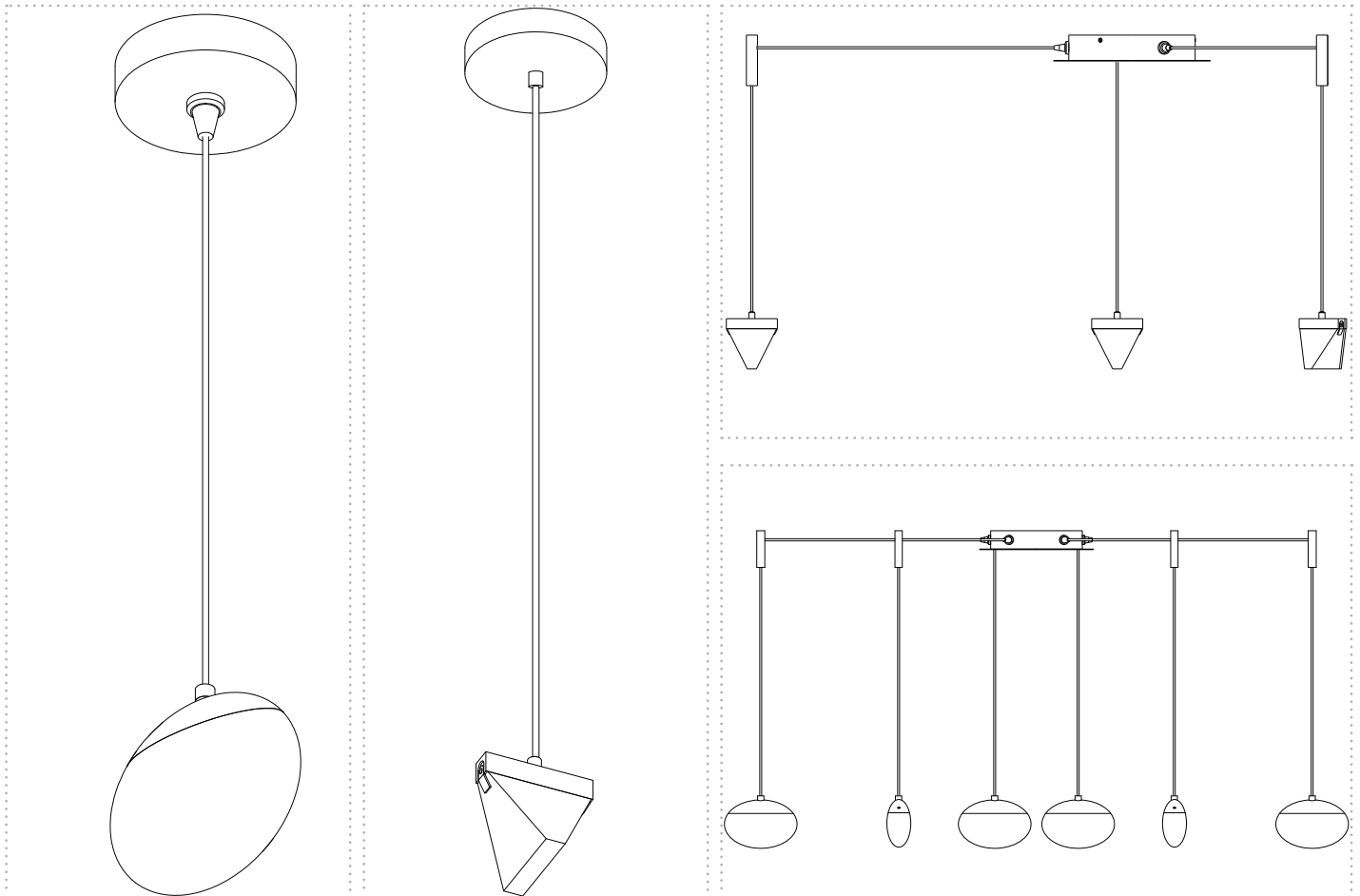


Instruction Booklet

Athena and Atlas Family of Uni-Jack Pendants with Canopies

Assembly and Installation Instructions for Models: 10060PN-10083CP



Includes Part Lists

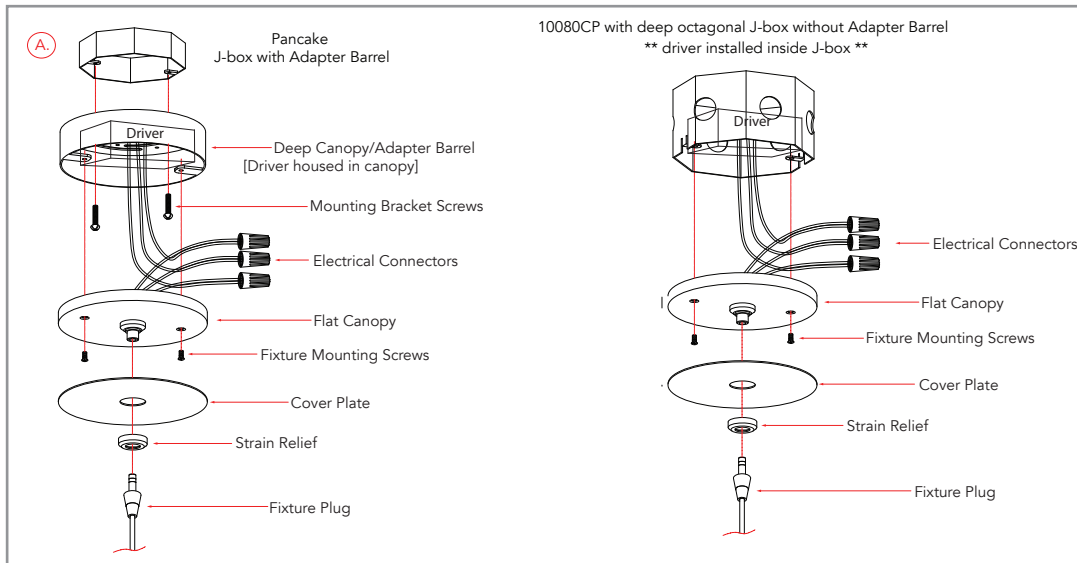
Table Of Contents

Introduction/Customization Options.....	3
Assembly Instructions for 10061PN.....	4
Assembly Instructions for 10062PN.....	5
Assembly Instructions for 10063PN.....	6
Assembly Instructions for 10064PN.....	7
Assembly Instructions for 10070PN.....	8
Assembly Instructions for 10071PN.....	9
Assembly Instructions for 10072PN.....	10
Assembly Instructions for 10073PN.....	11
Cutting and Splicing the Cable to Adjust Length.....	12
Mounting Stand-Offs into the Ceiling.....	15

Customize your fixture how you like it.

This Instruction Booklet contains all the information you need to customize and install your fixture as desired. Customization options include:

A. Installing a Flat or Deep Barrel Canopy. [10061PN+10070PN]



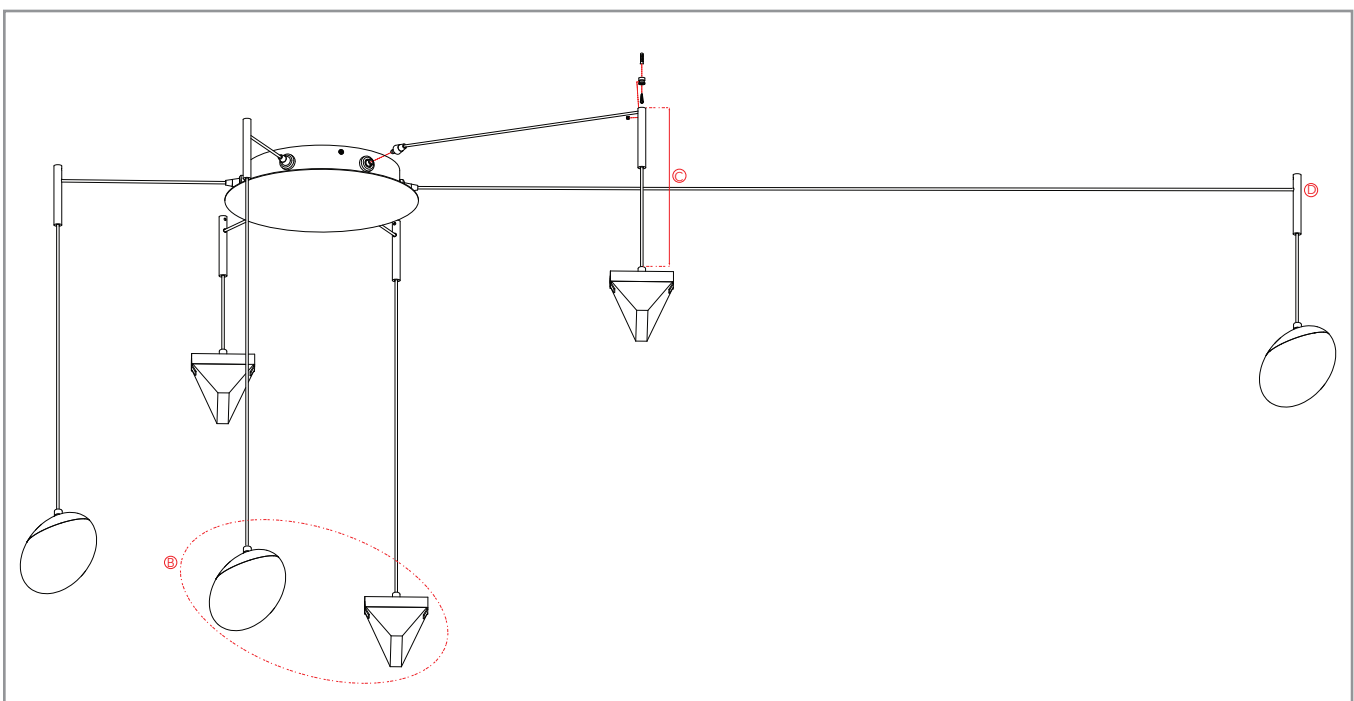
B. Mixing and matching pendants on multi-pendant canopies. [10062PN-10064PN, 10071PN-10073PN]

Oval and triangle pendants can be bought individually in different finishes.

C. Cutting and splicing cables to adjust length of individual pendants.

Adjust length of cables to desired length, specified instructions on pg.12

D. Unique placement of Stand-offs on the Ceiling for multi-pendant fixtures. [10062PN-10064PN, 10071PN-10073PN]



Assembly and Installation Instructions for Model's

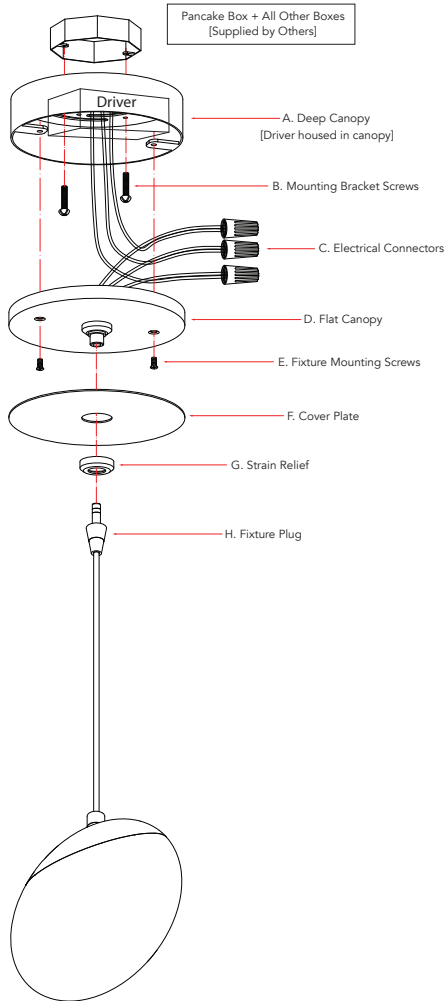
10061PN

Warning please make sure the electrical breaker is shut off before commencing with this installation

CAUTION - RISK OF FIRE

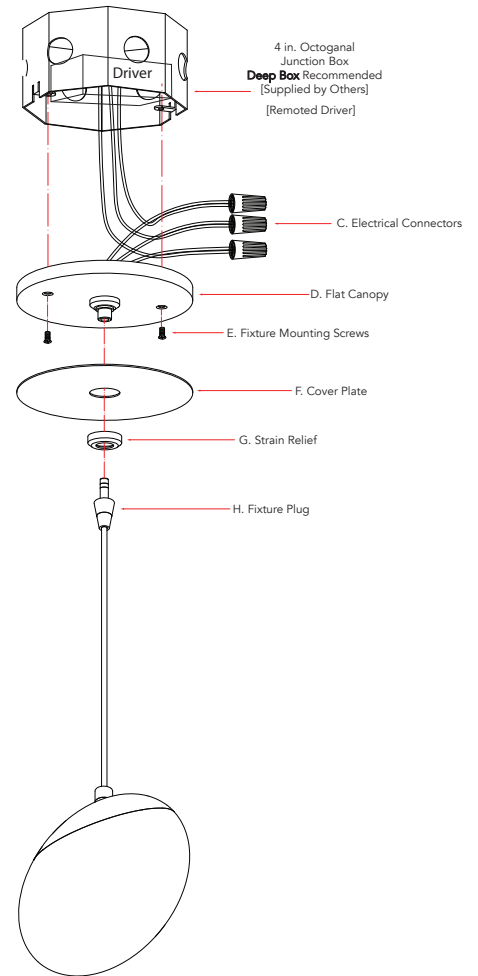
Installation of this fixture should be done by a licensed electrician or by a person familiar with local electrical codes and the construction and operation of this fixture.

Mounting Option 1



Mounting Option 2

deep octagonal J-box without Adapter Barrel



Package Contents		
Part	Description	Qty
A	Deep canopy	1
B	Mounting bracket screws	2
C	Electrical connectors	3
D	Flat canopy	1
E	Fixture mounting screws	2
F	Cover plate	1
G	Strain relief	1
H	Fixture plug	1

Installing the fixture *please ensure the electrical breaker is switched off before commencing*

- [OPTION 1]** Attach the supplied Deep Canopy (A) to the Junction-Box [Supplied by others], secure in place with the two supplied Bracket screws (B).
- [OPTION 1 & OPTION 2]** Connect the supply wires to the AC input wires of the Constant Current Driver using the supplied electrical wire connectors (C). White supply wire to the White fixture wire, Black supply wire to Black fixture wire and the ground Bare Copper or Green wire to the Green fixture wire. Once the electrical wire connectors are securely fastened it is recommended to tape these connectors with electrical tape.
- [OPTION 1]** Attach the Flat Canopy (D) to the Deep Canopy (A) and secure in place with supplied Fixture mounting screws (E).
[OPTION 2] Attach the Flat Canopy (D) to the 4 in. Octagonal Junction Box [Supplied by others] using the Fixture mounting screws (E).
- Place the Cover plate (F) over the Flat Canopy (D) and secure in place with the Strain relief (G).
- Plug in the Fixture plug (H) into the socket.
- Switch on the electrical breaker switch and your new fixture is ready for many years of trouble free use.

Assembly and Installation Instructions for Model's

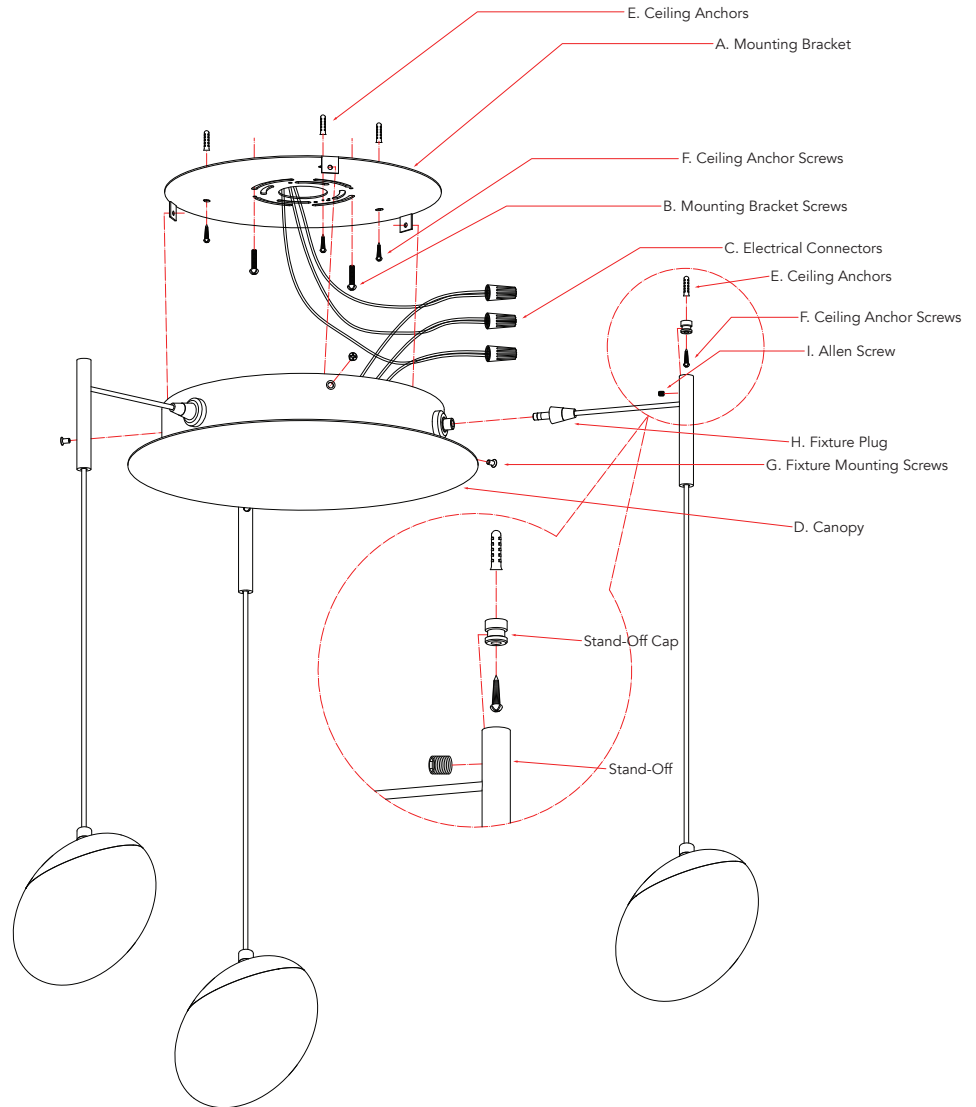
10062PN

Warning please make sure the electrical breaker is shut off before commencing with this installation

CAUTION - RISK OF FIRE

Installation of this fixture should be done by a licensed electrician or by a person familiar with local electrical codes and the construction and operation of this fixture.

Package Contents		
Part	Description	Qty
A	Mounting bracket	1
B	Mounting bracket screws	2
C	Electrical connectors	3
D	Canopy	1
E	Ceiling anchors	6
F	Ceiling anchor screws	6
G	Fixture mounting screws	3
H	Fixture plugs	3
I	Allen Screws	3
J	Allen Key	1



Installing the fixture *please ensure the electrical breaker is switched off before commencing*

- Loosely attach the supplied Mounting bracket (A) to the Junction-Box using the Mounting bracket screws (B) and mark where three Ceiling anchors (E) will be placed. Remove the Mounting bracket.
- Insert three of the Ceiling anchors (E) into their marked spots and Attach the Mounting bracket (A) to the Junction Box. Insert the Ceiling anchor screws (F) into the Ceiling anchors.
- Connect the supply wires to the AC input wires of the Constant Current Driver using the supplied electrical wire connectors (C). White supply wire to the White fixture wire, Black supply wire to Black fixture wire and the ground Bare Copper or Green wire to the Green fixture wire. Once the electrical wire connectors are securely fastened it is recommended to tape these connectors with electrical tape.
- Attach the Canopy (D) to the Mounting bracket (A) and secure in place with supplied Fixture mounting screws (G) and plug in the Fixture plugs (H) into their sockets.
- Place the remaining Ceiling anchors (E) into their desired positions, insert the Ceiling anchor screws (F) through the Stand-Off cap and into the Ceiling anchors.
- Secure the Stand-Offs to the Caps using the Allen screws (I).
- Switch on the electrical breaker switch and your new fixture is ready for many years of trouble free use.

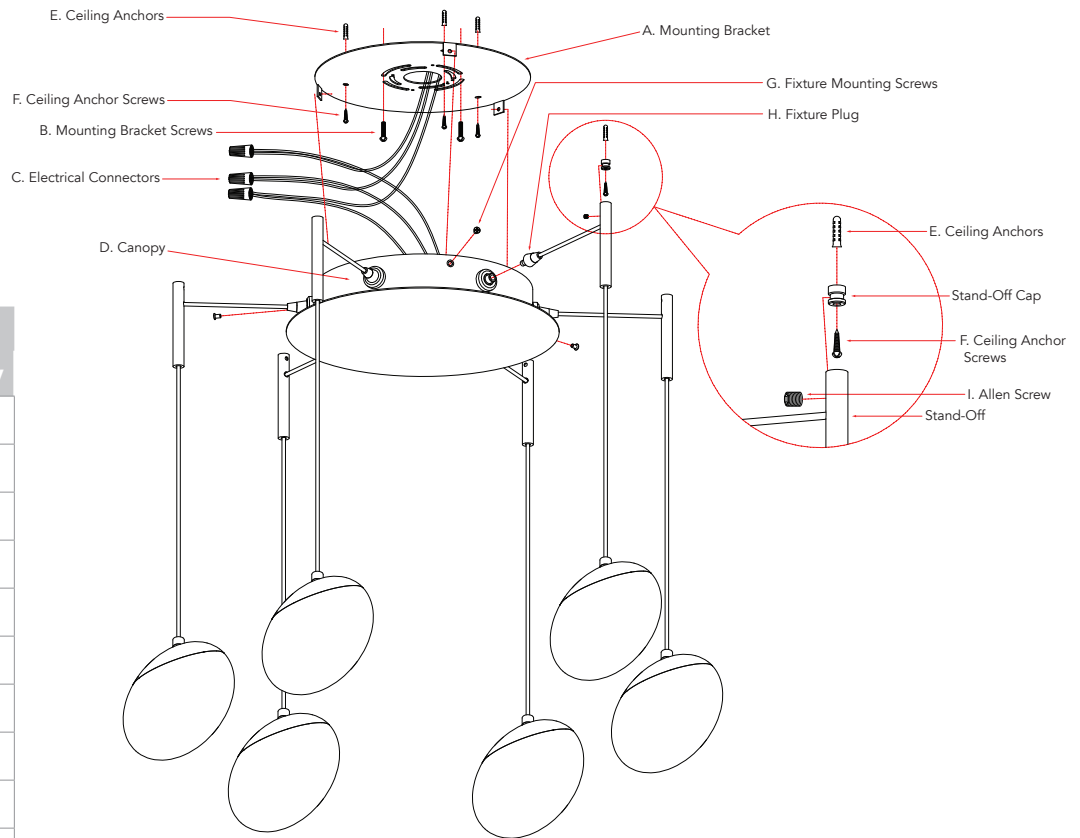
Assembly and Installation Instructions for Model's

10063PN

Warning please make sure the electrical breaker is shut off before commencing with this installation

CAUTION - RISK OF FIRE

Installation of this fixture should be done by a licensed electrician or by a person familiar with local electrical codes and the construction and operation of this fixture.



Package Contents		
Part	Description	Qty
A	Mounting bracket	1
B	Mounting bracket screws	2
C	Electrical connectors	3
D	Canopy	1
E	Ceiling anchors	9
F	Ceiling anchor screws	9
G	Fixture mounting screws	3
H	Fixture plugs	6
I	Allen Screws	6
J	Allen Key	1

Installing the fixture *please ensure the electrical breaker is switched off before commencing*

- Loosely attach the supplied Mounting bracket (A) to the Junction-Box using the Mounting bracket screws (B) and mark where three Ceiling anchors (E) will be placed. Remove the Mounting bracket.
- Insert three of the Ceiling anchors (E) into their marked spots and Attach the Mounting bracket (A) to the Junction Box. Insert the Ceiling anchor screws (F) into the Ceiling anchors.
- Connect the supply wires to the AC input wires of the Constant Current Driver using the supplied electrical wire connectors (C). White supply wire to the White fixture wire, Black supply wire to Black fixture wire and the ground Bare Copper or Green wire to the Green fixture wire. Once the electrical wire connectors are securely fastened it is recommended to tape these connectors with electrical tape.
- Attach the Canopy (D) to the Mounting bracket (A) and secure in place with supplied Fixture mounting screws (G) and plug in the Fixture plugs (H) into their sockets.
- Place the remaining Ceiling anchors (E) into their desired positions, insert the Ceiling anchor screws (F) through the Stand-Off cap and into the Ceiling anchors.
- Secure the Stand-Offs to the Caps using the Allen screws (I).
- Switch on the electrical breaker switch and your new fixture is ready for many years of trouble free use.

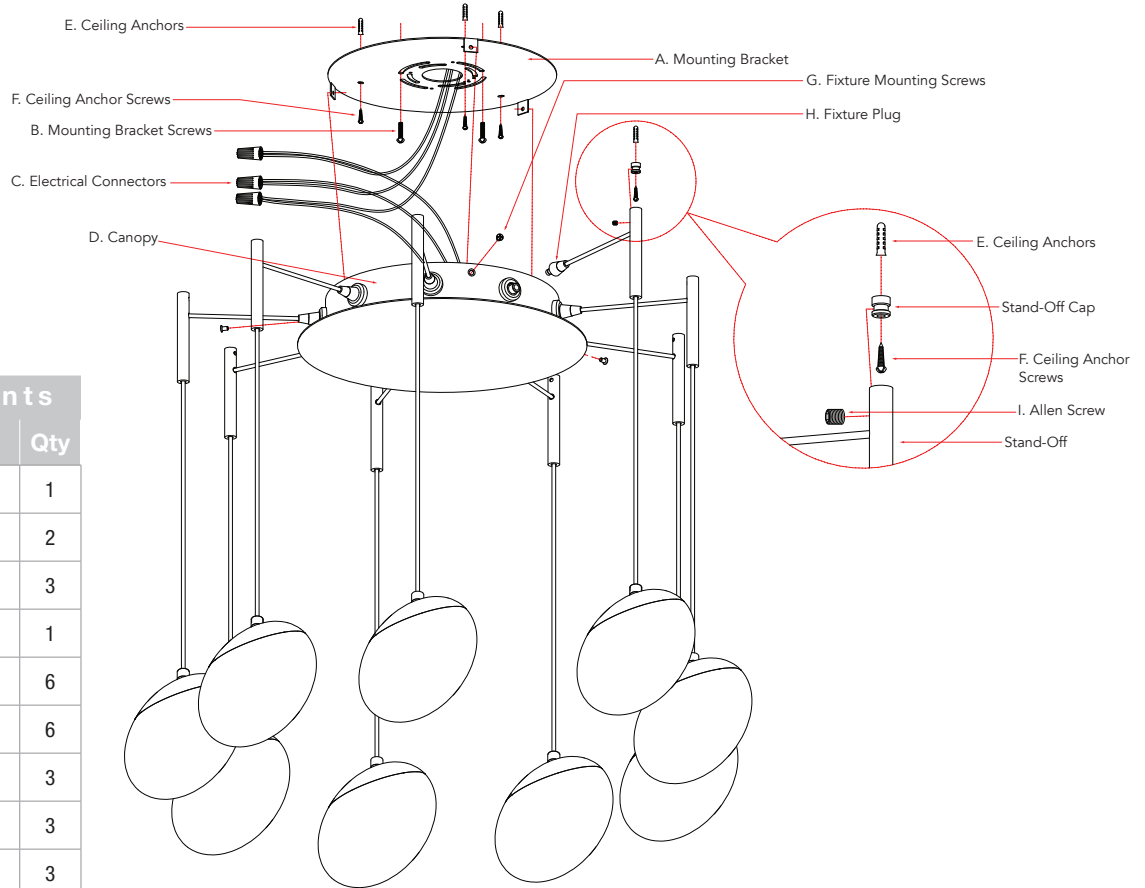
Assembly and Installation Instructions for Model's

10064PN

Warning please make sure the electrical breaker is shut off before commencing with this installation

CAUTION - RISK OF FIRE

Installation of this fixture should be done by a licensed electrician or by a person familiar with local electrical codes and the construction and operation of this fixture.



Package Contents

Part	Description	Qty
A	Mounting bracket	1
B	Mounting bracket screws	2
C	Electrical connectors	3
D	Canopy	1
E	Ceiling anchors	6
F	Ceiling anchor screws	6
G	Fixture mounting screws	3
H	Fixture plugs	3
I	Allen Screw	3
J	Allen Key	1

Installing the fixture *please ensure the electrical breaker is switched off before commencing*

- Loosely attach the supplied Mounting bracket (**A**) to the Junction-Box using the Mounting bracket screws (**B**) and mark where three Ceiling anchors (**E**) will be placed. Remove the Mounting bracket.
- Insert three of the Ceiling anchors (**E**) into their marked spots and Attach the Mounting bracket (**A**) to the Junction Box. Insert the Ceiling anchor screws (**F**) into the Ceiling anchors.
- Connect the supply wires to the AC input wires of the Constant Current Driver using the supplied electrical wire connectors (**C**). White supply wire to the White fixture wire, Black supply wire to Black fixture wire and the ground Bare Copper or Green wire to the Green fixture wire. Once the electrical wire connectors are securely fastened it is recommended to tape these connectors with electrical tape.
- Attach the Canopy (**D**) to the Mounting bracket (**A**) and secure in place with supplied Fixture mounting screws (**G**) and plug in the Fixture plugs (**H**) into their sockets.
- Place the remaining Ceiling anchors (**E**) into their desired positions, insert the Ceiling anchor screws (**F**) through the Stand-Off cap and into the Ceiling anchors.
- Secure the Stand-Offs to the Caps using the Threaded plugs (**I**).
- Switch on the electrical breaker switch and your new fixture is ready for many years of trouble free use.

Assembly and Installation Instructions for Model's

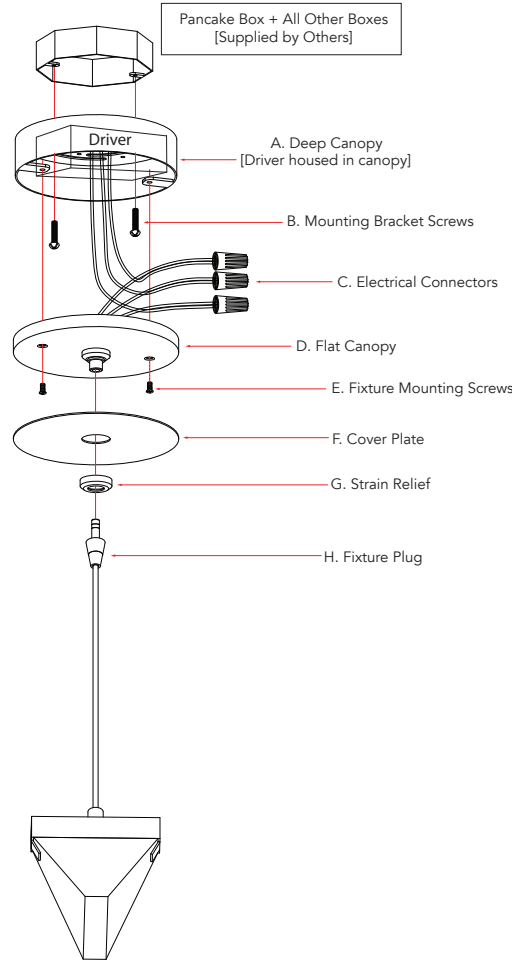
10070PN

Warning please make sure the electrical breaker is shut off before commencing with this installation

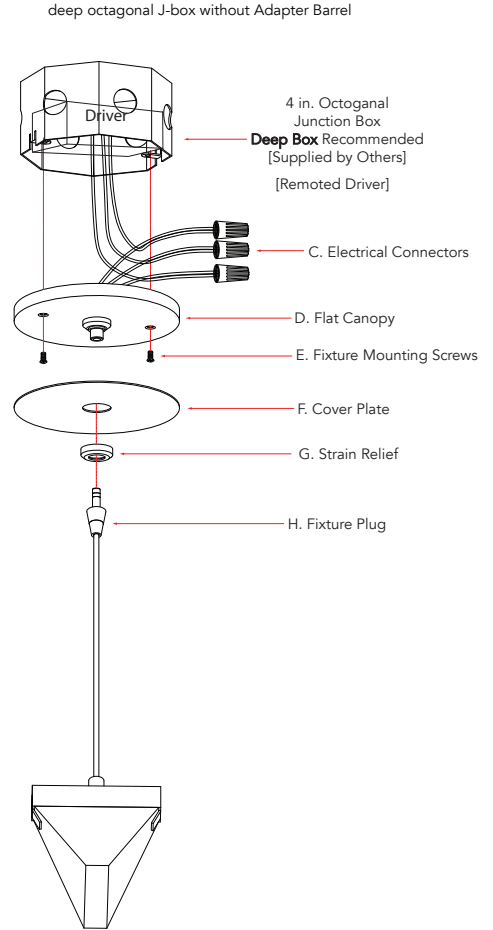
CAUTION - RISK OF FIRE

Installation of this fixture should be done by a licensed electrician or by a person familiar with local electrical codes and the construction and operation of this fixture.

Mounting Option 1



Mounting Option 2



Package Contents		
Part	Description	Qty
A	Deep canopy	1
B	Mounting bracket screws	2
C	Electrical connectors	3
D	Flat canopy	1
E	Fixture mounting screws	2
F	Cover plate	1
G	Strain relief	1
H	Fixture plug	1

Installing the fixture *please ensure the electrical breaker is switched off before commencing*

- [OPTION 1]** Attach the supplied Deep Canopy (A) to the Junction-Box [Supplied by others], secure in place with the two supplied Bracket screws (B).
- [OPTION 1 & OPTION 2]** Connect the supply wires to the AC input wires of the Constant Current Driver using the supplied electrical wire connectors (C). White supply wire to the White fixture wire, Black supply wire to Black fixture wire and the ground Bare Copper or Green wire to the Green fixture wire. Once the electrical wire connectors are securely fastened it is recommended to tape these connectors with electrical tape.
- [OPTION 1]** Attach the Flat Canopy (D) to the Deep Canopy (A) and secure in place with supplied Fixture mounting screws (E).
[OPTION 2] Attach the Flat Canopy (D) to the 4 in. Octagonal Junction Box [Supplied by others] using the Fixture mounting screws (E).
- Place the Cover plate (F) over the Flat Canopy (D) and secure in place with the Strain relief (G).
- Plug in the Fixture plug (H) into the socket.
- Switch on the electrical breaker switch and your new fixture is ready for many years of trouble free use.

Assembly and Installation Instructions for Model's

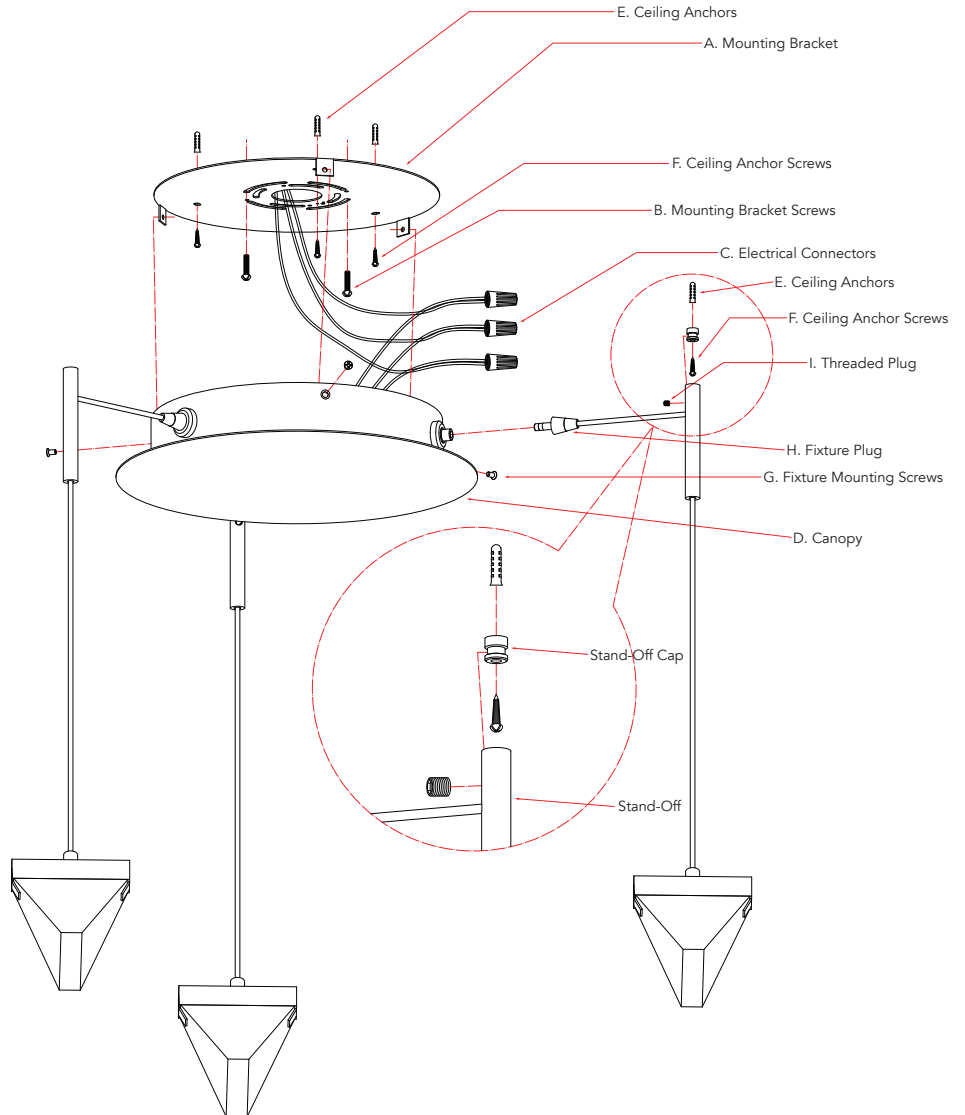
10071PN

Warning please make sure the electrical breaker is shut off before commencing with this installation

CAUTION - RISK OF FIRE

Installation of this fixture should be done by a licensed electrician or by a person familiar with local electrical codes and the construction and operation of this fixture.

Package Contents		
Part	Description	Qty
A	Mounting bracket	1
B	Mounting bracket screws	2
C	Electrical connectors	3
D	Canopy	1
E	Ceiling anchors	6
F	Ceiling anchor screws	6
G	Fixture mounting screws	3
H	Fixture plugs	3
I	Allen Screw	3
J	Allen Key	1



Installing the fixture *please ensure the electrical breaker is switched off before commencing*

- Loosely attach the supplied Mounting bracket (**A**) to the Junction-Box using the Mounting bracket screws (**B**) and mark where three Ceiling anchors (**E**) will be placed. Remove the Mounting bracket.
- Insert three of the Ceiling anchors (**E**) into their marked spots and Attach the Mounting bracket (**A**) to the Junction Box. Insert the Ceiling anchor screws (**F**) into the Ceiling anchors.
- Connect the supply wires to the AC input wires of the Constant Current Driver using the supplied electrical wire connectors (**C**). White supply wire to the White fixture wire, Black supply wire to Black fixture wire and the ground Bare Copper or Green wire to the Green fixture wire. Once the electrical wire connectors are securely fastened it is recommended to tape these connectors with electrical tape.
- Attach the Canopy (**D**) to the Mounting bracket (**A**) and secure in place with supplied Fixture mounting screws (**G**) and plug in the Fixture plugs (**H**) into their sockets.
- Place the remaining Ceiling anchors (**E**) into their desired positions, insert the Ceiling anchor screws (**F**) through the Stand-Off cap and into the Ceiling anchors.
- Secure the Stand-Offs to the Caps using the Allen screws (**I**).
- Switch on the electrical breaker switch and your new fixture is ready for many years of trouble free use.

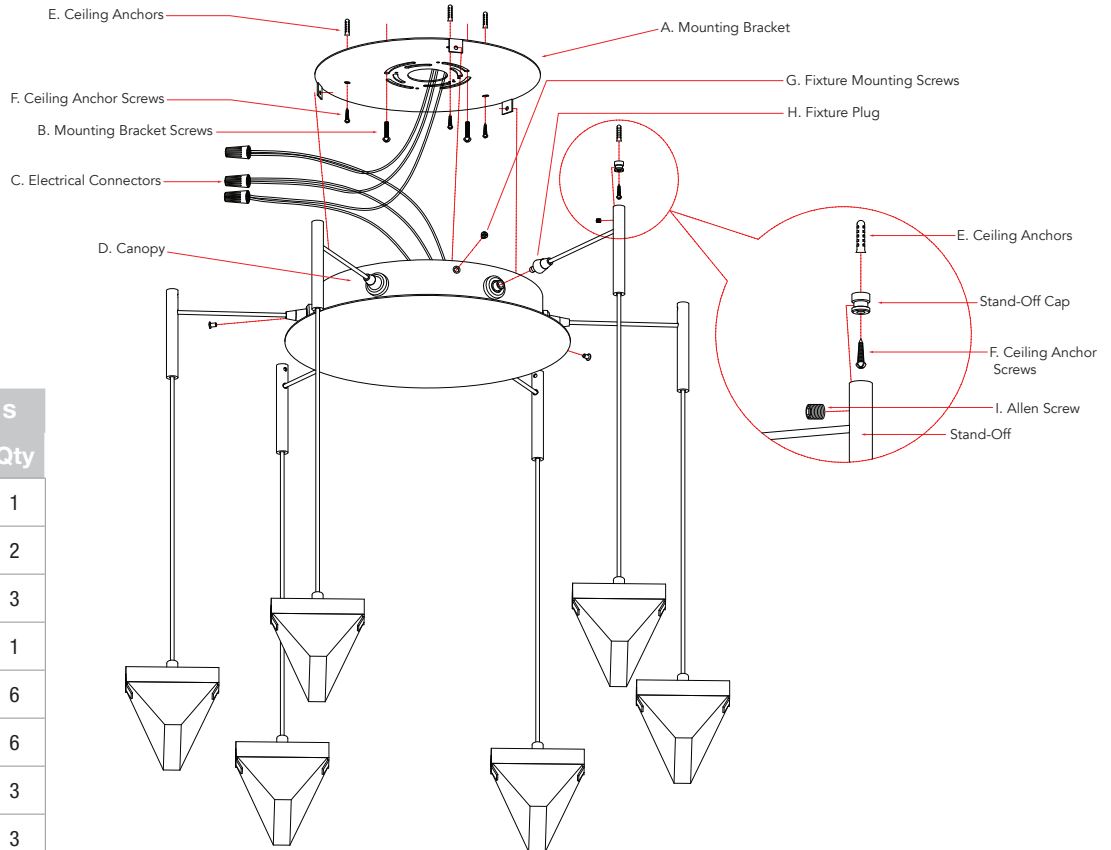
Assembly and Installation Instructions for Model's

10072PN

Warning please make sure the electrical breaker is shut off before commencing with this installation

CAUTION - RISK OF FIRE

Installation of this fixture should be done by a licensed electrician or by a person familiar with local electrical codes and the construction and operation of this fixture.



Package Contents		
Part	Description	Qty
A	Mounting bracket	1
B	Mounting bracket screws	2
C	Electrical connectors	3
D	Canopy	1
E	Ceiling anchors	6
F	Ceiling anchor screws	6
G	Fixture mounting screws	3
H	Fixture plugs	3
I	Allen Screw	3
J	Allen Key	1

Installing the fixture <i>please ensure the electrical breaker is switched off before commencing</i>	
1	Loosely attach the supplied Mounting bracket (A) to the Junction-Box using the Mounting bracket screws (B) and mark where three Ceiling anchors (E) will be placed. Remove the Mounting bracket.
2	Insert three of the Ceiling anchors (E) into their marked spots and Attach the Mounting bracket (A) to the Junction Box. Insert the Ceiling anchor screws (F) into the Ceiling anchors.
3	Connect the supply wires to the AC input wires of the Constant Current Driver using the supplied electrical wire connectors (C). White supply wire to the White fixture wire, Black supply wire to Black fixture wire and the ground Bare Copper or Green wire to the Green fixture wire. Once the electrical wire connectors are securely fastened it is recommended to tape these connectors with electrical tape.
4	Attach the Canopy (D) to the Mounting bracket (A) and secure in place with supplied Fixture mounting screws (G) and plug in the Fixture plugs (H) into their sockets.
5	Place the remaining Ceiling anchors (E) into their desired positions, insert the Ceiling anchor screws (F) through the Stand-Off cap and into the Ceiling anchors.
6	Secure the Stand-Offs to the Caps using the Allen screws (I).
7	Switch on the electrical breaker switch and your new fixture is ready for many years of trouble free use.

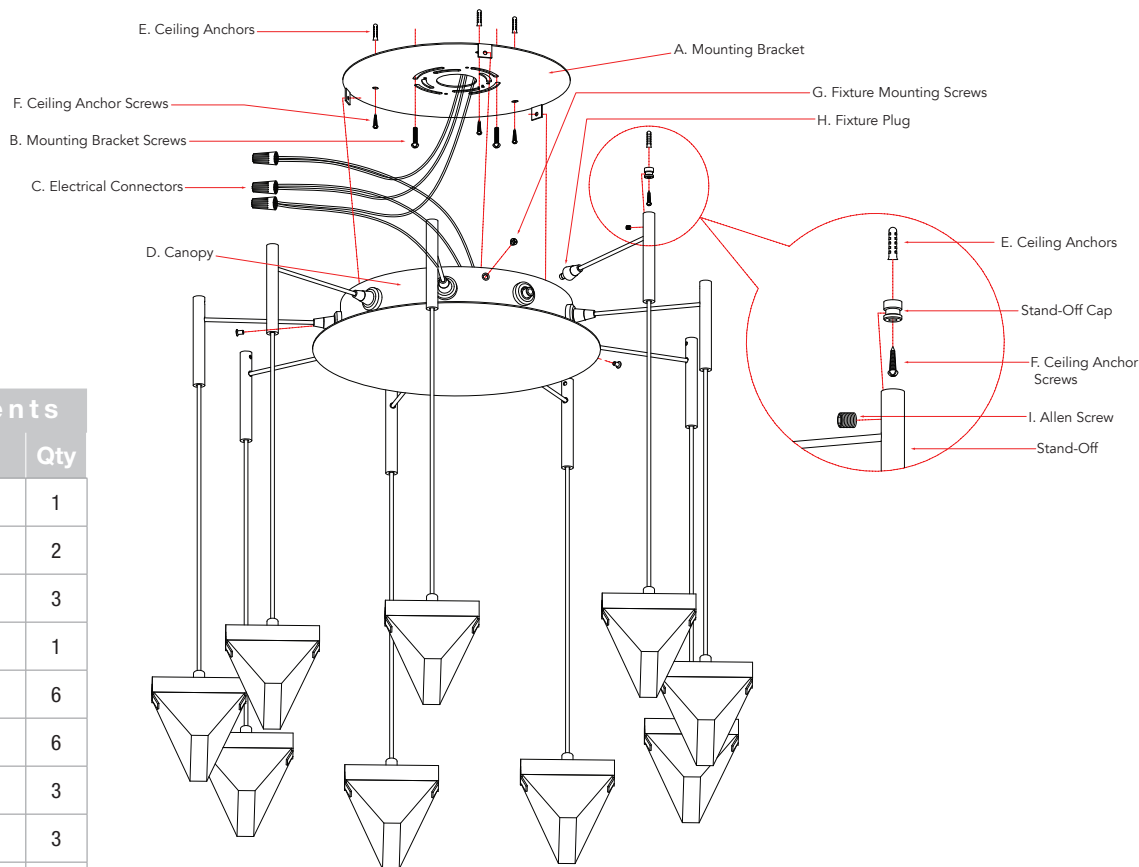
Assembly and Installation Instructions for Model's

10073PN

Warning please make sure the electrical breaker is shut off before commencing with this installation

CAUTION - RISK OF FIRE

Installation of this fixture should be done by a licensed electrician or by a person familiar with local electrical codes and the construction and operation of this fixture.



Package Contents		
Part	Description	Qty
A	Mounting bracket	1
B	Mounting bracket screws	2
C	Electrical connectors	3
D	Canopy	1
E	Ceiling anchors	6
F	Ceiling anchor screws	6
G	Fixture mounting screws	3
H	Fixture plugs	3
I	Allen Screw	3
J	Allen Key	1

Installing the fixture *please ensure the electrical breaker is switched off before commencing*

- Loosely attach the supplied Mounting bracket (**A**) to the Junction-Box using the Mounting bracket screws (**B**) and mark where three Ceiling anchors (**E**) will be placed. Remove the Mounting bracket.
- Insert three of the Ceiling anchors (**E**) into their marked spots and Attach the Mounting bracket (**A**) to the Junction Box. Insert the Ceiling anchor screws (**F**) into the Ceiling anchors.
- Connect the supply wires to the AC input wires of the Constant Current Driver using the supplied electrical wire connectors (**C**). White supply wire to the White fixture wire, Black supply wire to Black fixture wire and the ground Bare Copper or Green wire to the Green fixture wire. Once the electrical wire connectors are securely fastened it is recommended to tape these connectors with electrical tape.
- Attach the Canopy (**D**) to the Mounting bracket (**A**) and secure in place with supplied Fixture mounting screws (**G**) and plug in the Fixture plugs (**H**) into their sockets.
- Place the remaining Ceiling anchors (**E**) into their desired positions, insert the Ceiling anchor screws (**F**) through the Stand-Off cap and into the Ceiling anchors.
- Secure the Stand-Offs to the Caps using the Allen screws (**I**).
- Switch on the electrical breaker switch and your new fixture is ready for many years of trouble free use.

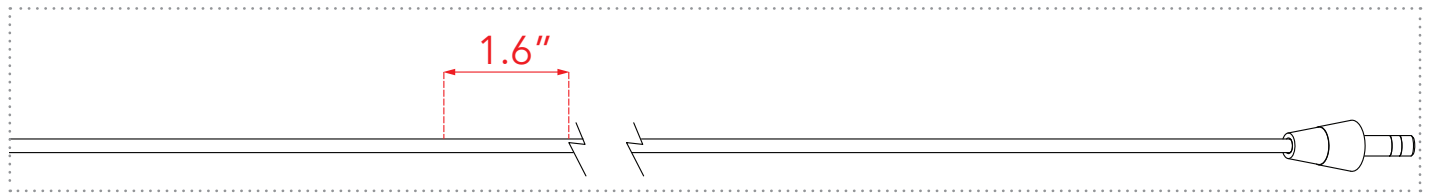
Cutting and Splicing Cables

Warning please make sure the electrical breaker is shut off and Fixture is not wired in before commencing with the cutting and splicing of the wire.

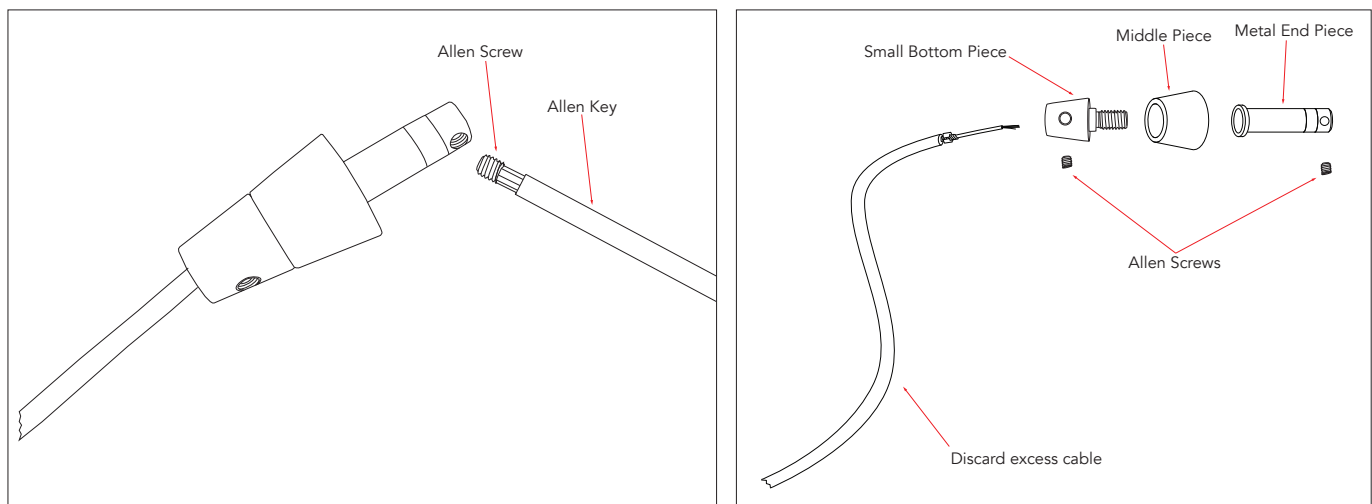
Required Tools:

1. Wire Cutter/Wire Stripper
2. Crimp Tool
3. Allen Key

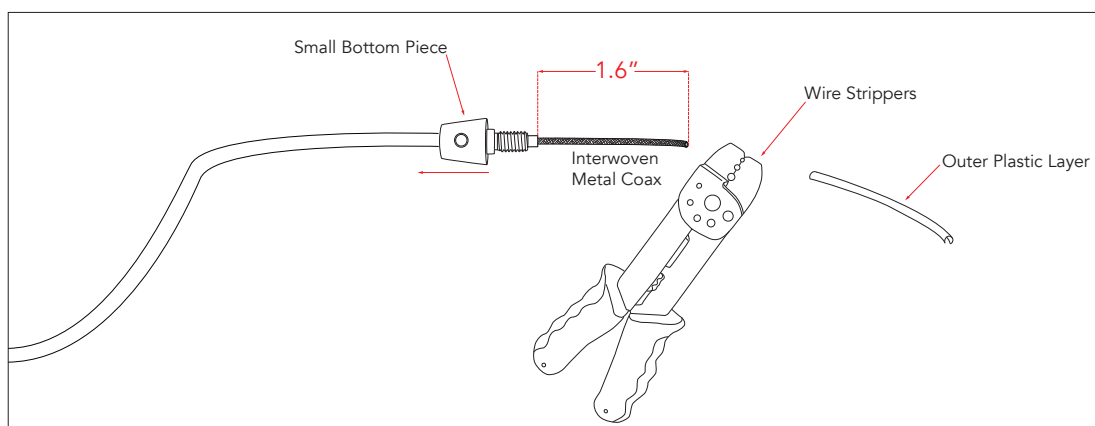
1. Use a wire cutter to cut cable to desired length, leaving 1.6" at the end to be used in reattaching the plug to the end of the cable.



2. Loosen the two allen screws from the top and bottom of the plug to release it from the cut wire, discard the unwanted extra cable.

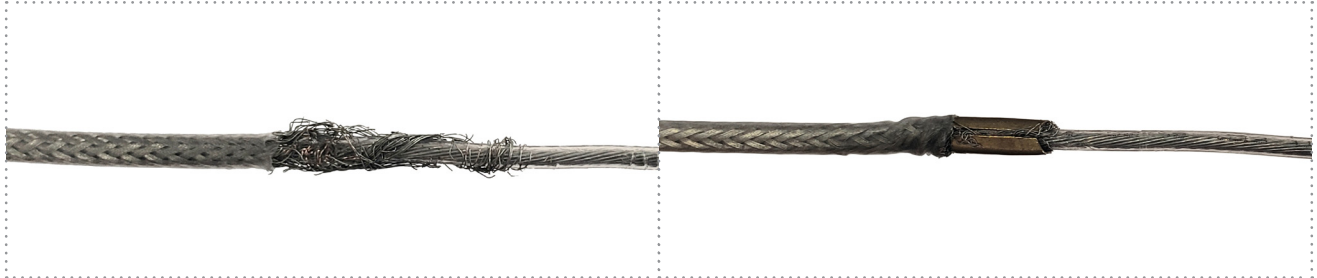


3. Slide the small bottom piece over the new end of the wire. From the end of the wire remove 1.6" of the outer plastic layer from the cable using a wire stripper.



Cutting and Splicing Cables cont.

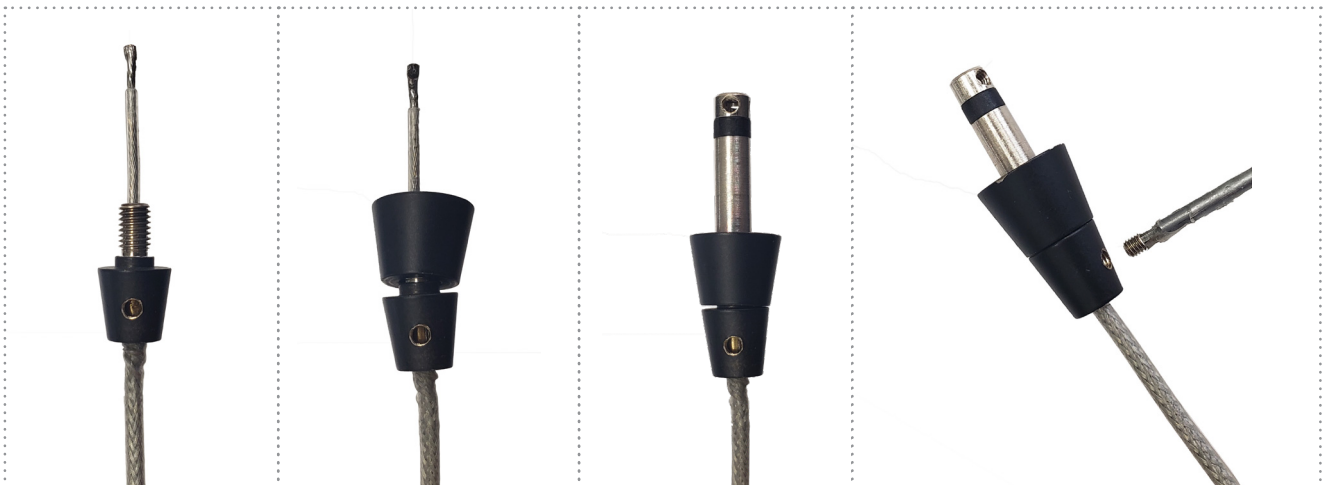
4. Twist and scrunch back the coaxial metal wires, crimp them flat with the brass crimps provided. Be sure that the bottom piece of the plug can still slide over it. Be careful not to remove too much metal wire.



5. Once the metal layer has been peeled back another plastic layer will be revealed underneath. Carefully remove this plastic layer from the very tip of the wire leaving another metallic layer exposed. Final wire should look like this before reassembly of the plug.



6. Position the small bottom piece over the copper crimp, secure it to the copper piece using the allen screw. Slide the middle piece of the plug over the cable and rest it onto the bottom piece, then place the metal end piece of the plug over the exposed wire. Make sure the exposed wire reaches all the way to the end of the metal end piece.

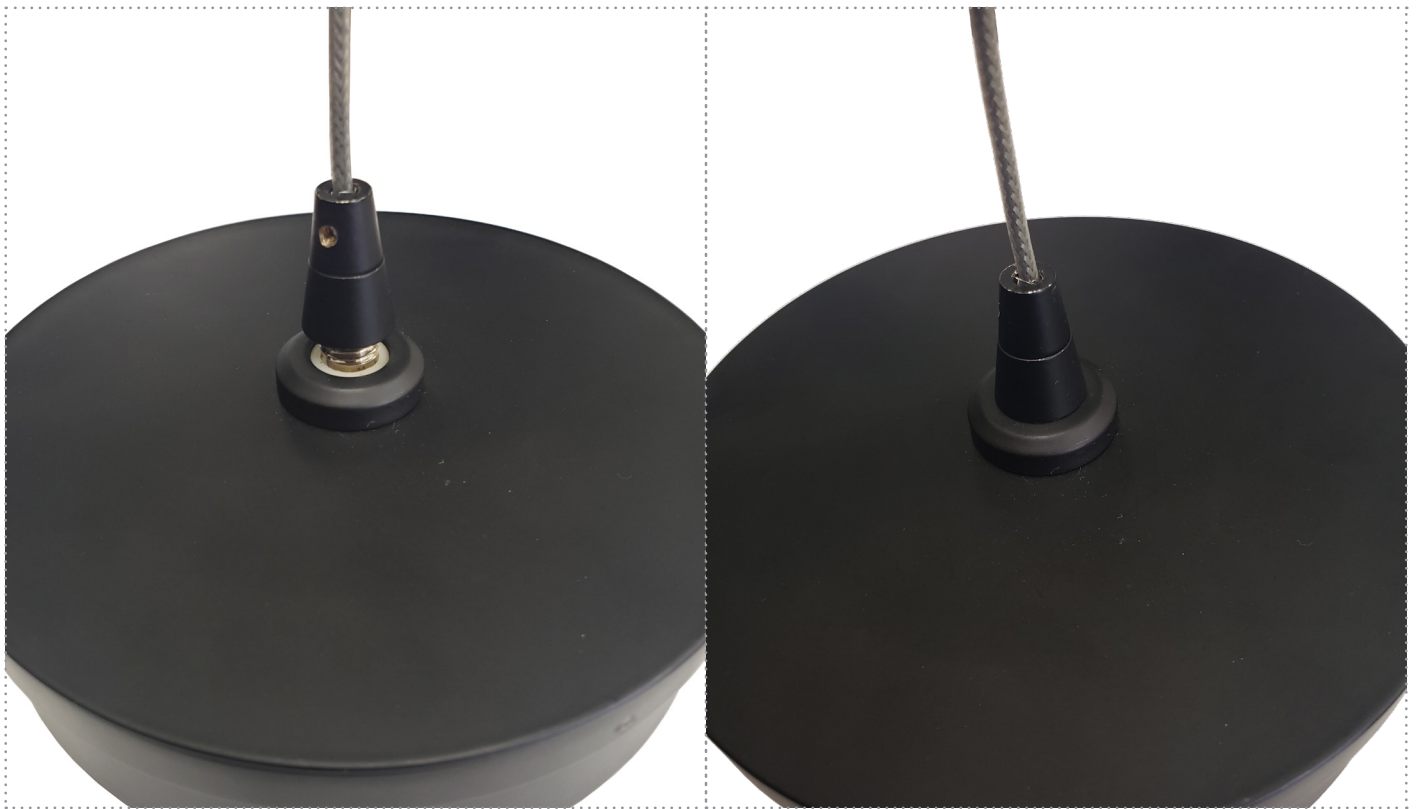


Cutting and Splicing Cables cont.

7. Screw the metal end piece to the bottom piece bringing all three pieces together and tighten it down to the cable using the other allen screw.

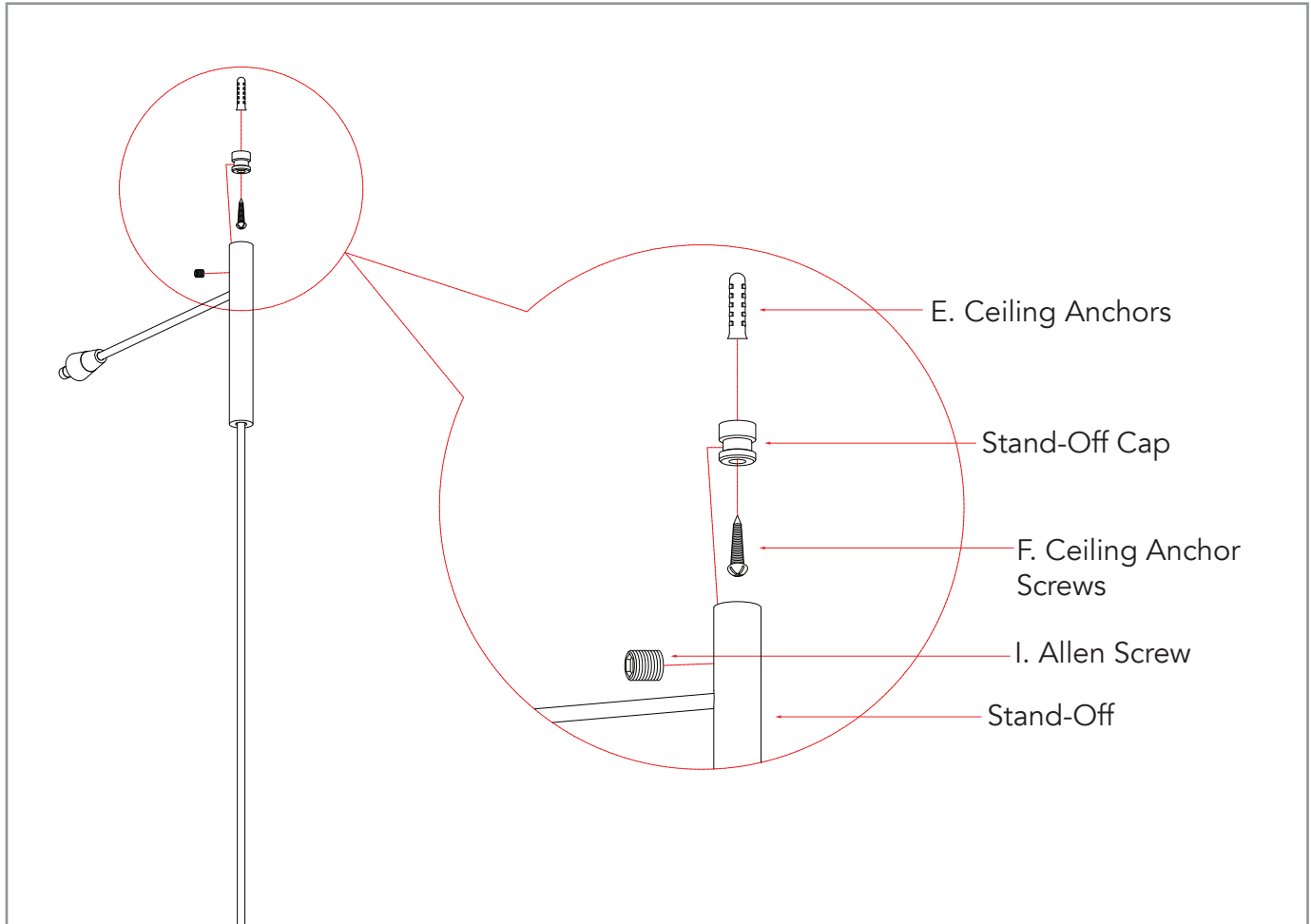


8. Plug in your Fixture plug into the socket on your canopy and screw the middle piece to tighten in place.



9. Switch on your fixture and be sure that the pendant lights up as it is supposed to.

Mounting Stand-Offs to the Ceiling



Once the location of each pendant has been decided and the cables have been cut to the desired lengths, they can be mounted to the ceiling.

- Mark the desired positions on the ceiling with a pencil and insert the Ceiling anchor (**E**) into said position.
- Secure the Stand-Off Cap to the ceiling by inserting the Ceiling anchor screw (**F**) through it and into the Ceiling anchor.
- Take the Stand-Off with cable running through it and secure it onto the Stand-Off cap using the Allen screw (**I**) provided.
- Repeat steps for remaining pendants.